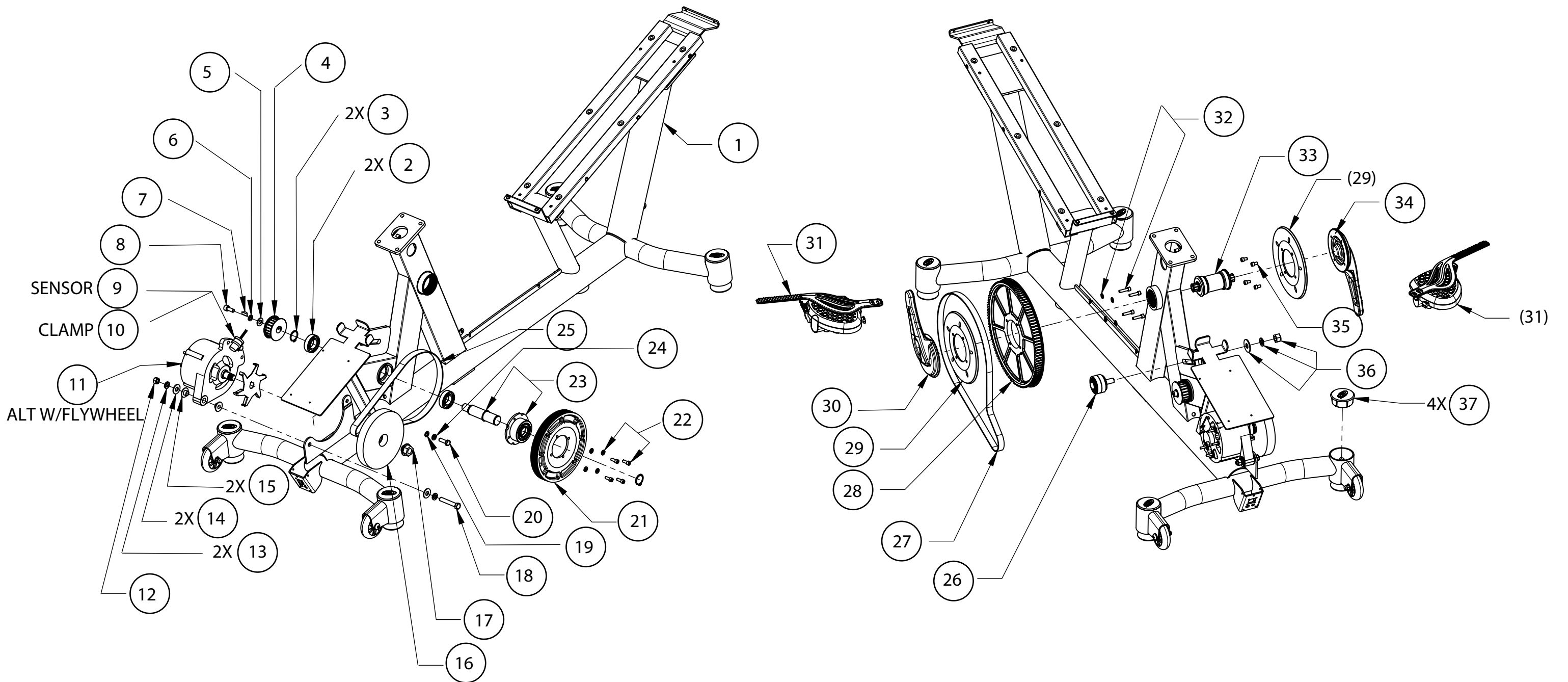
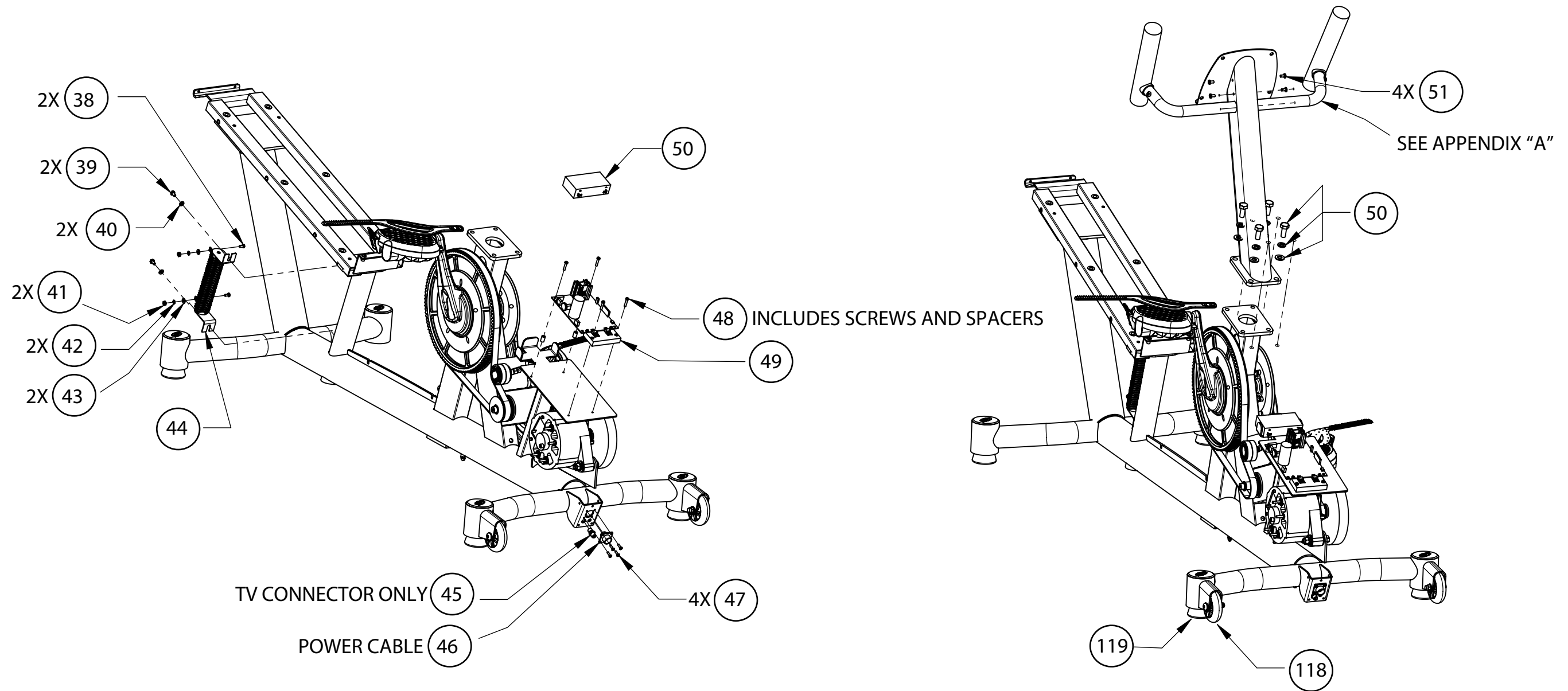


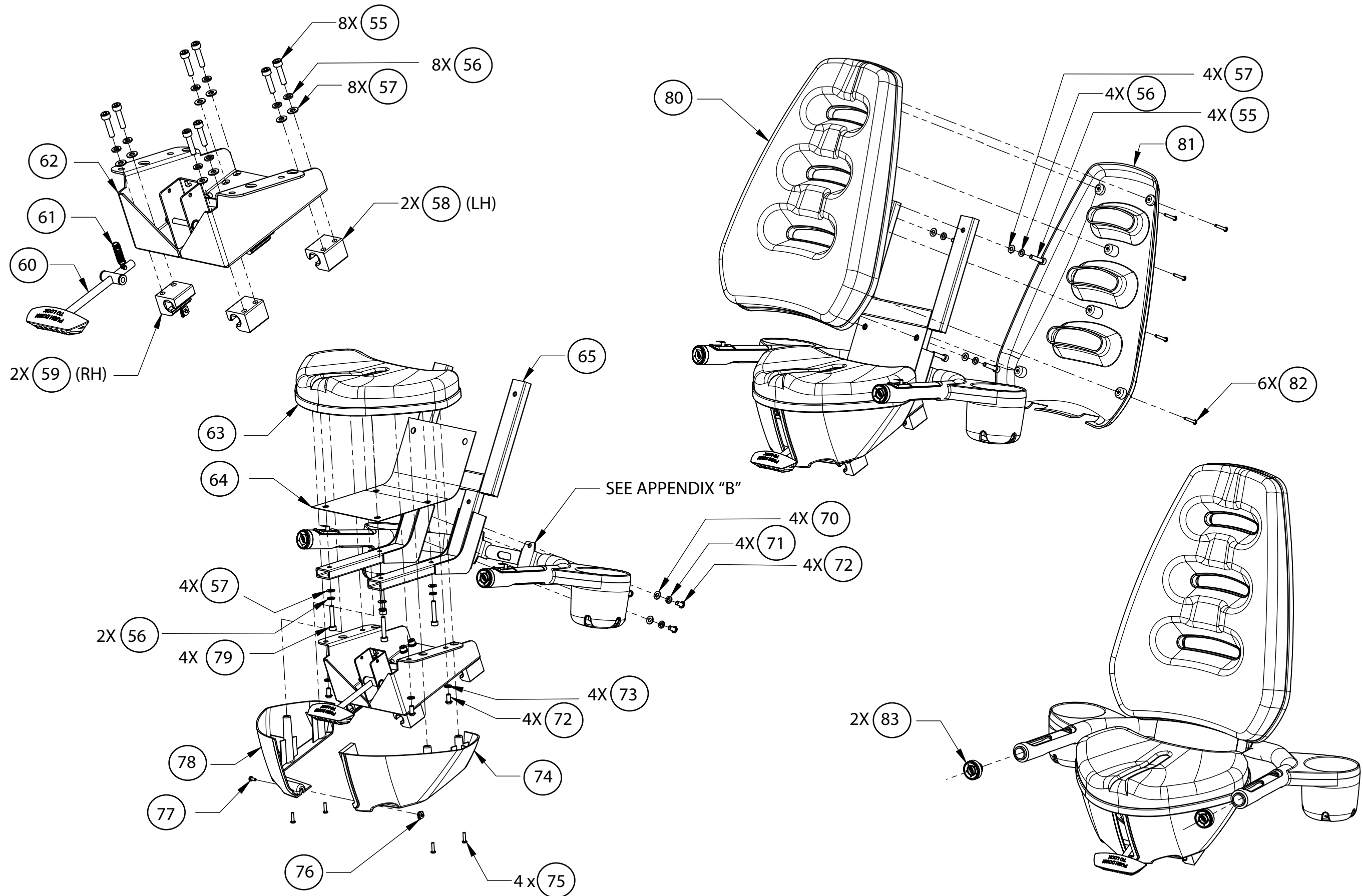
R916 DOMESTIC



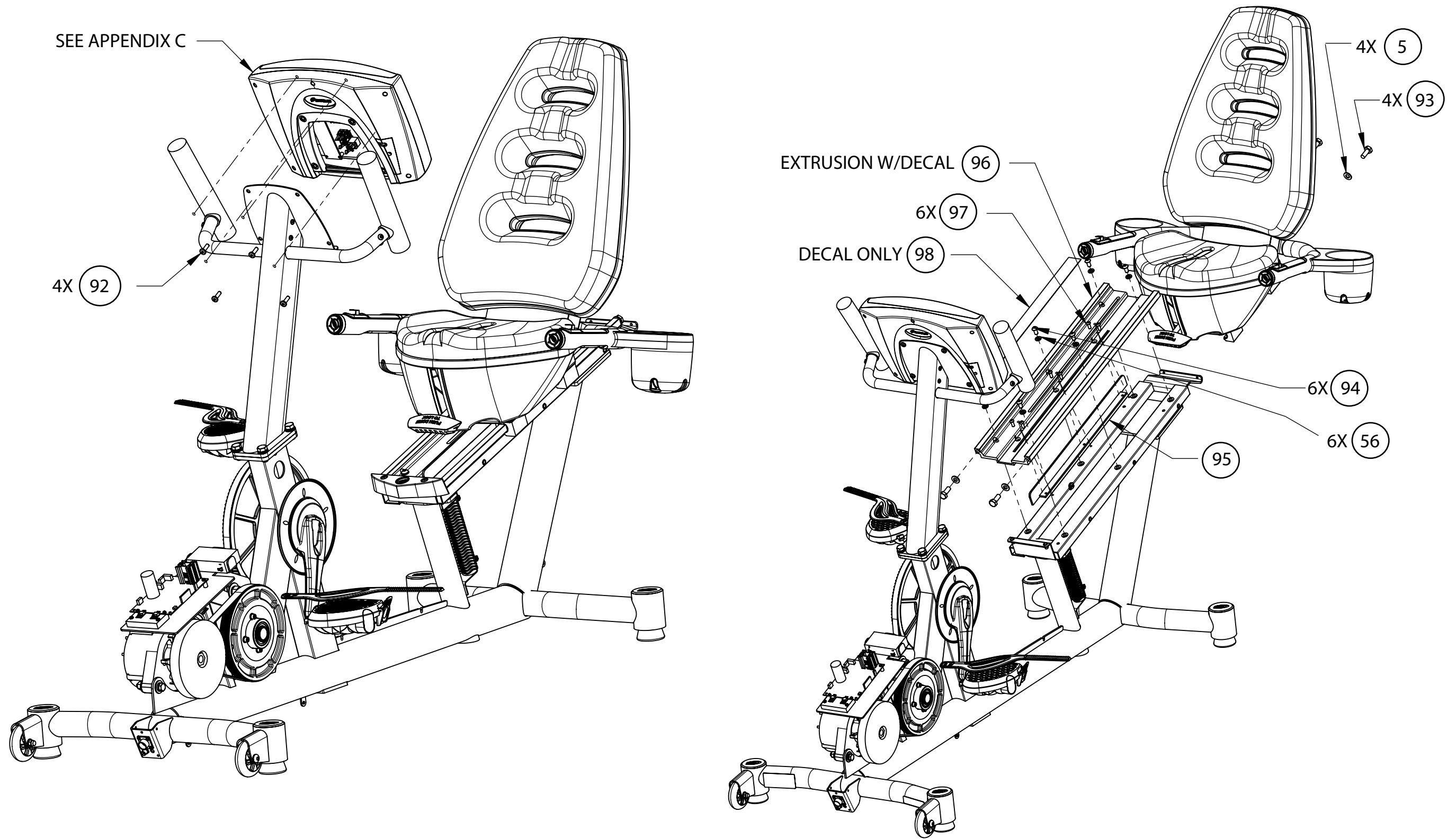
R916 DOMESTIC



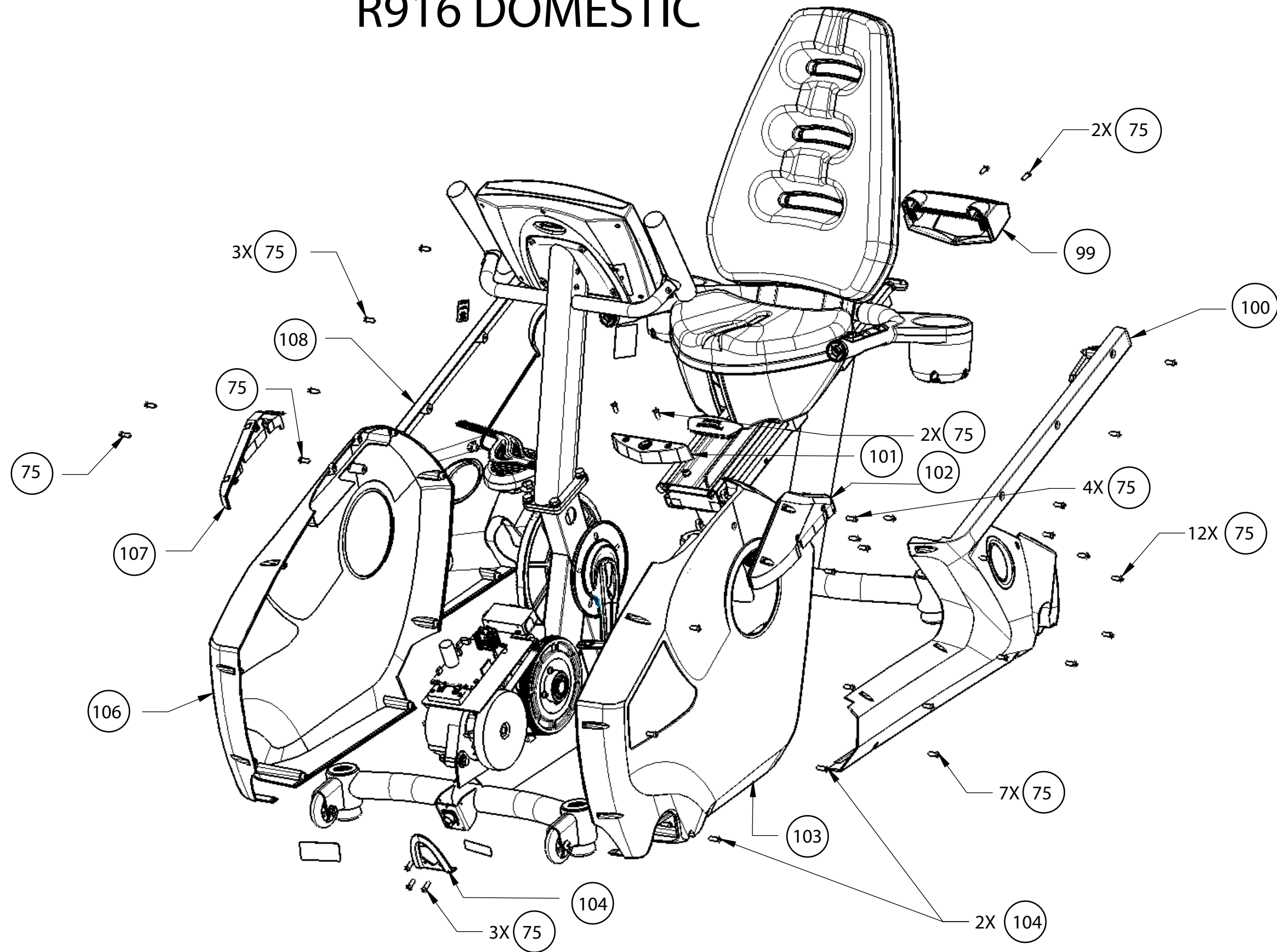
R916 DOMESTIC



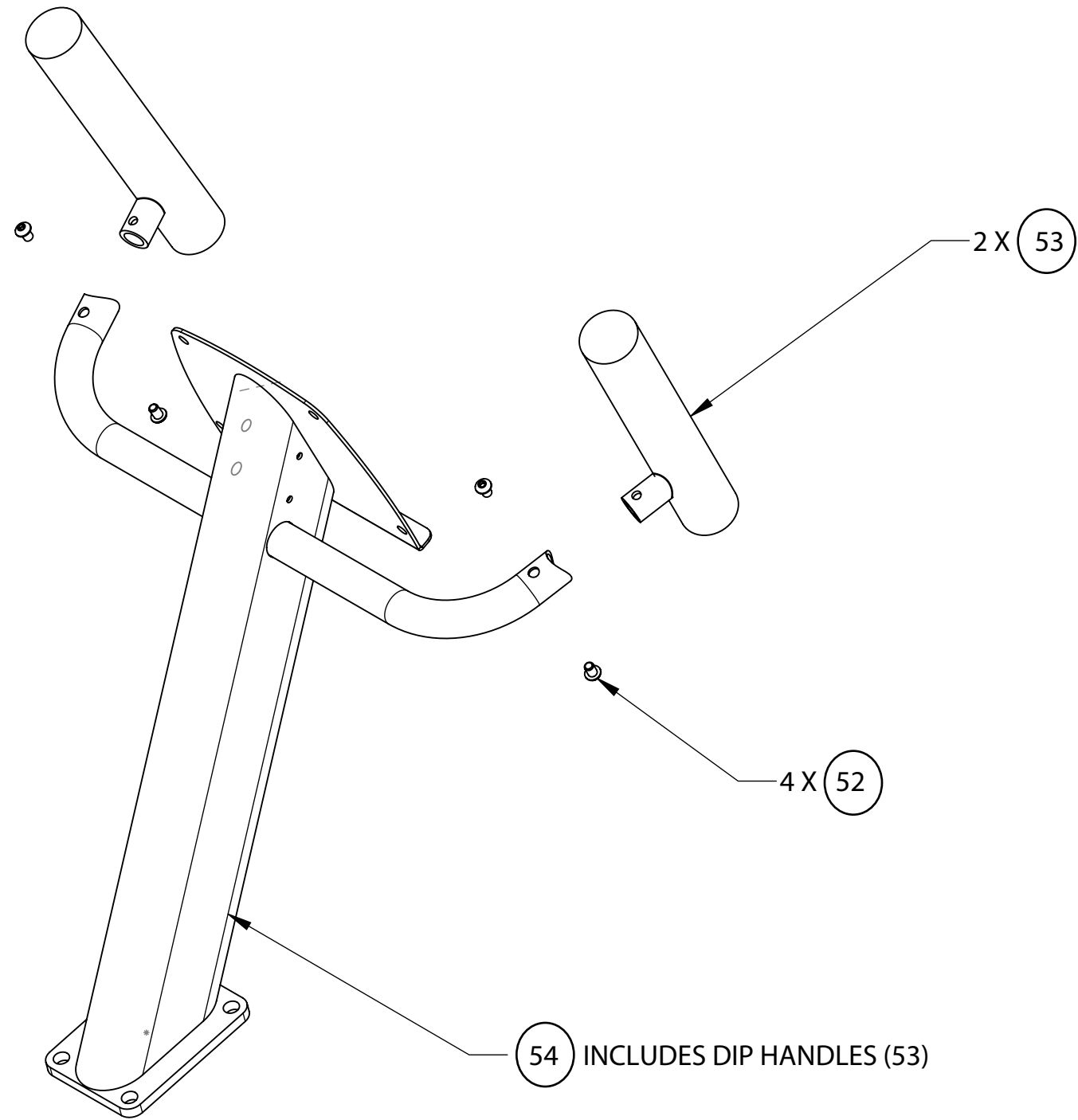
R916 DOMESTIC



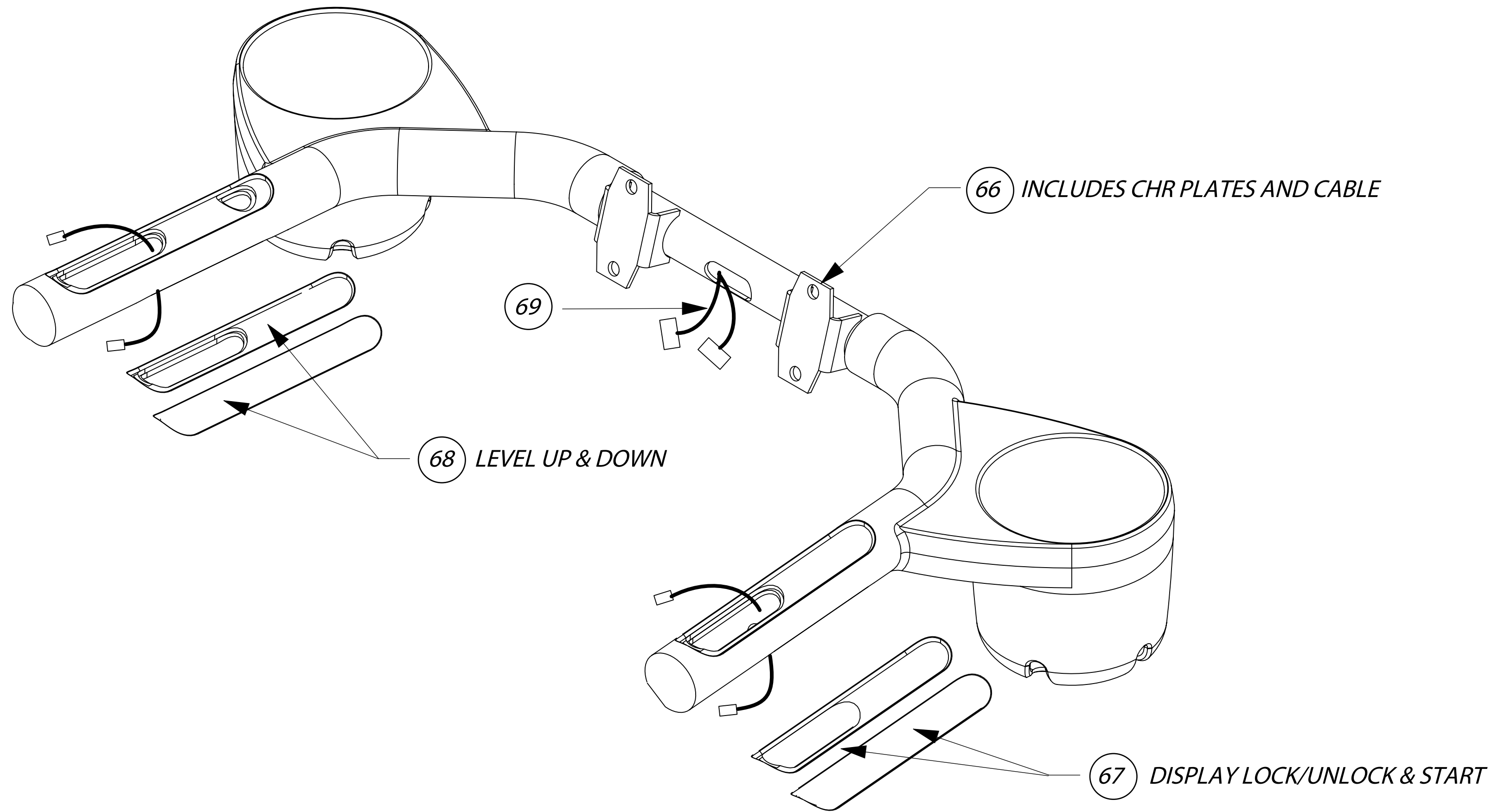
R916 DOMESTIC



APPENDIX "A"

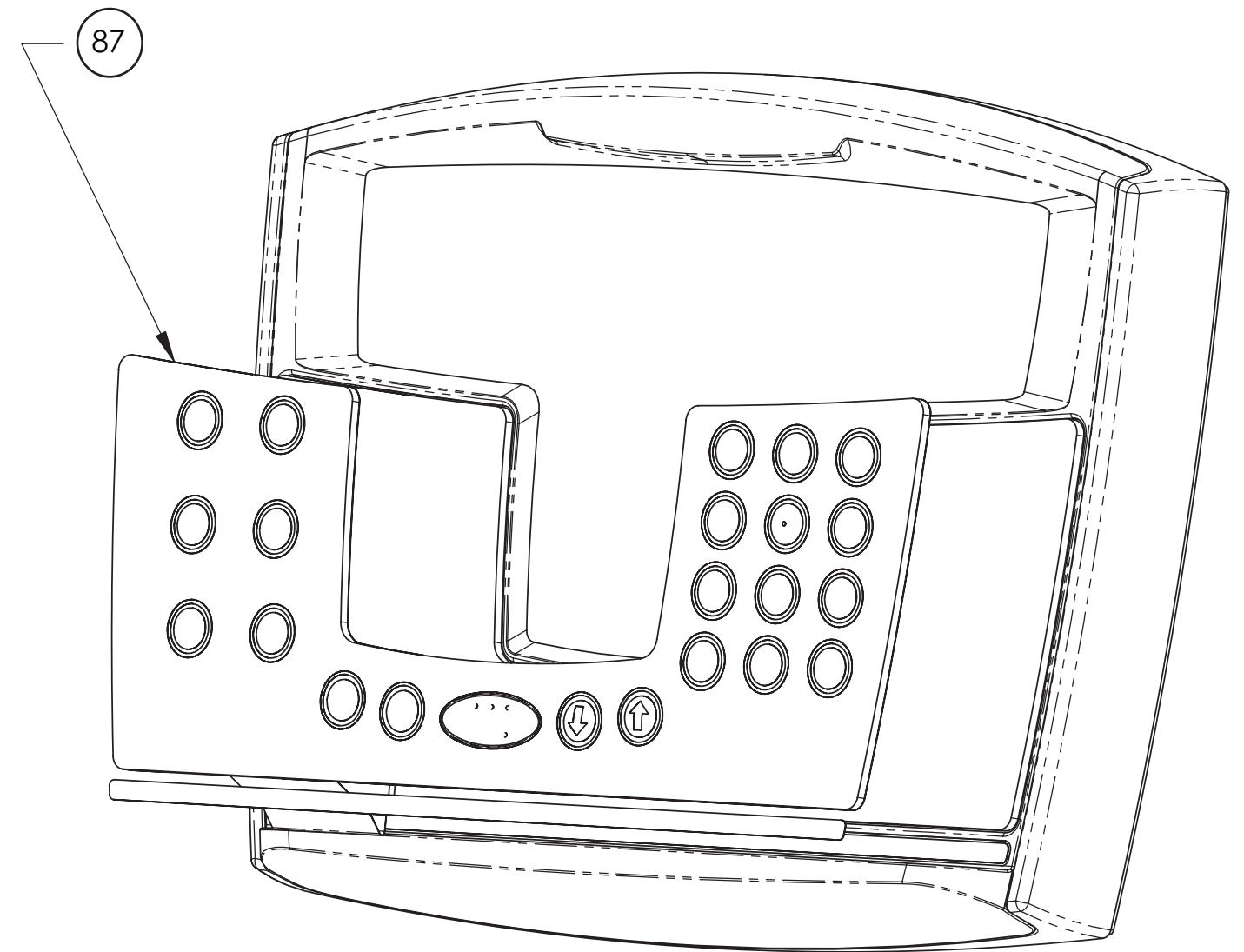
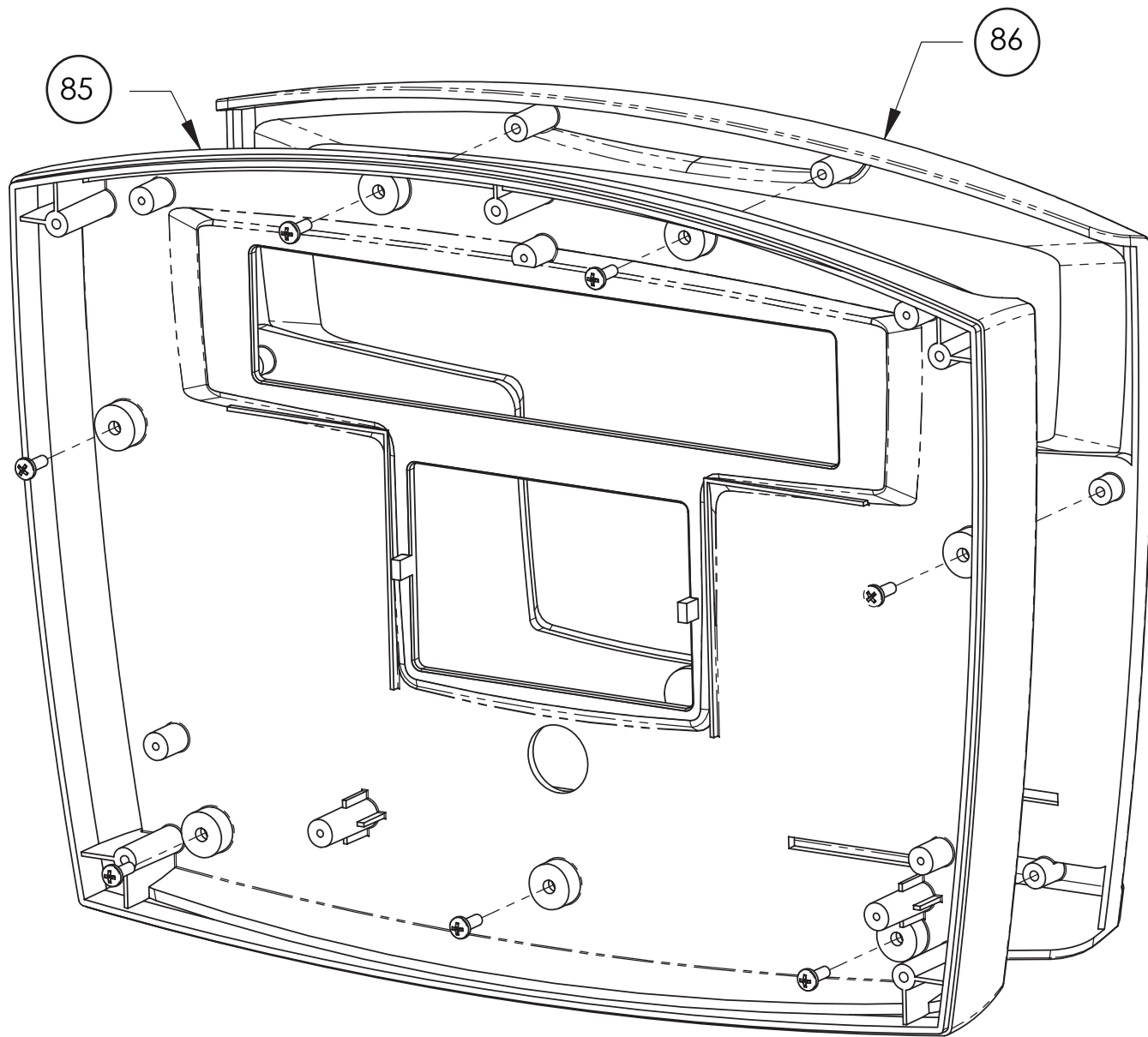


APPENDIX "B"

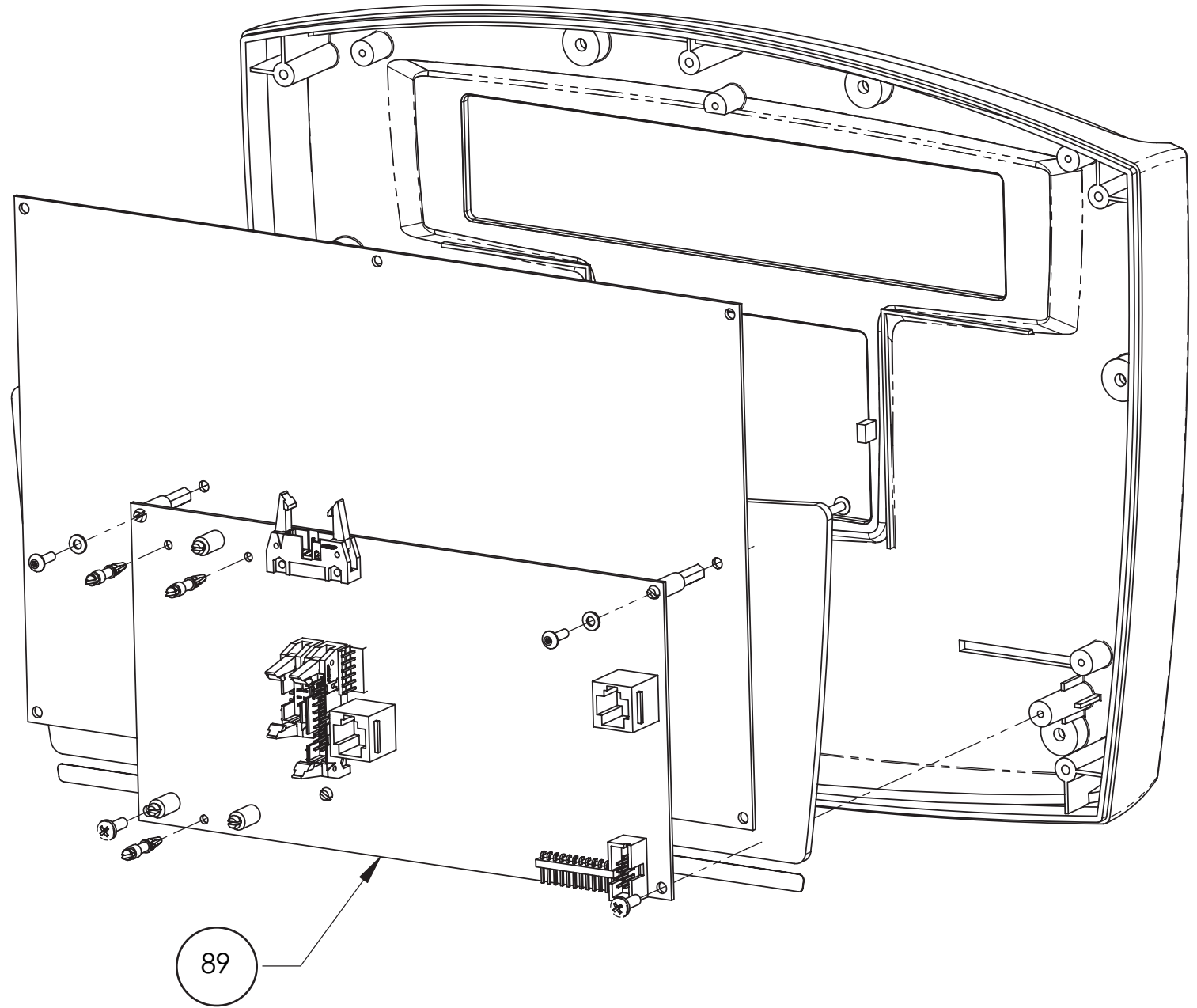
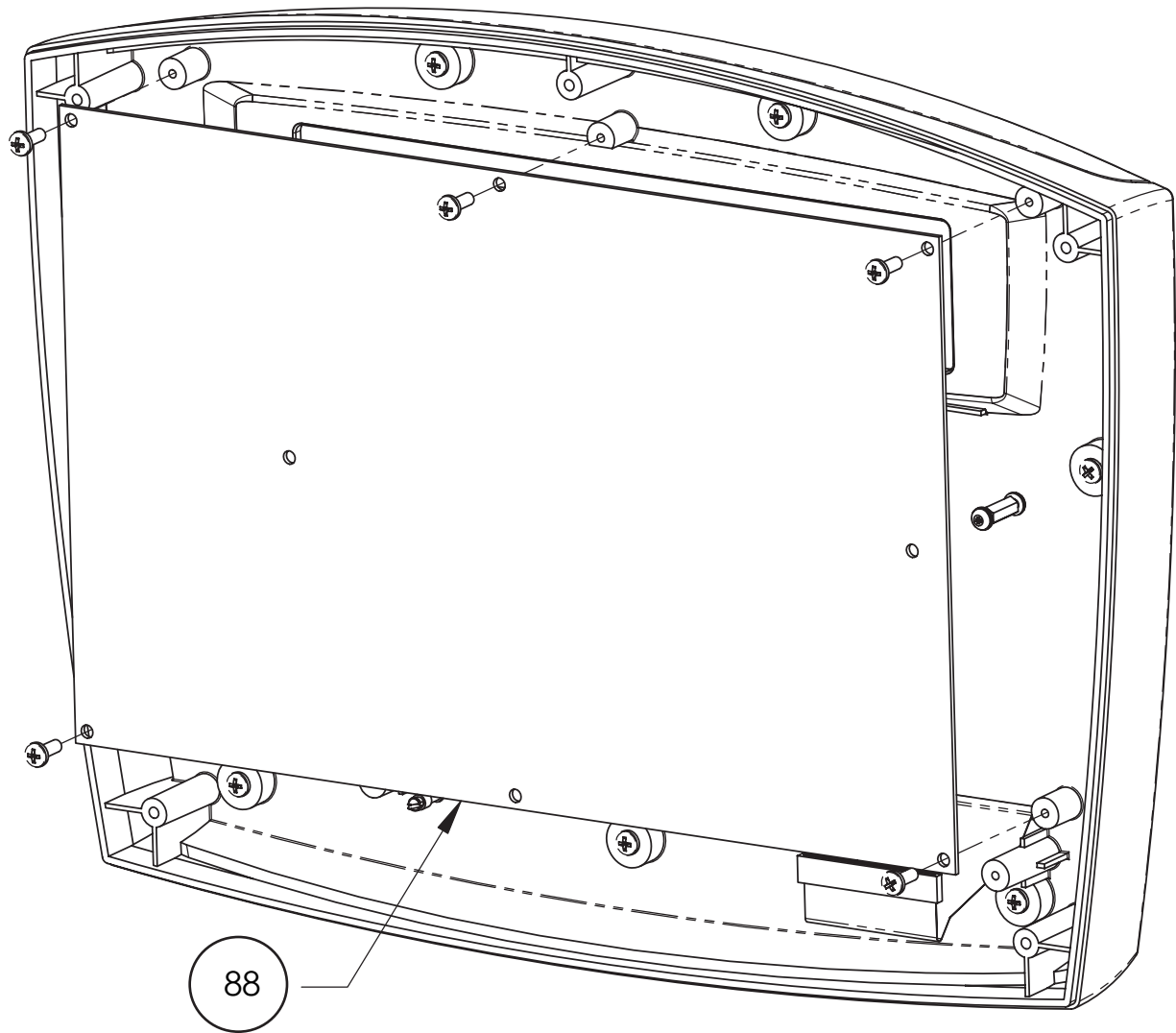


84

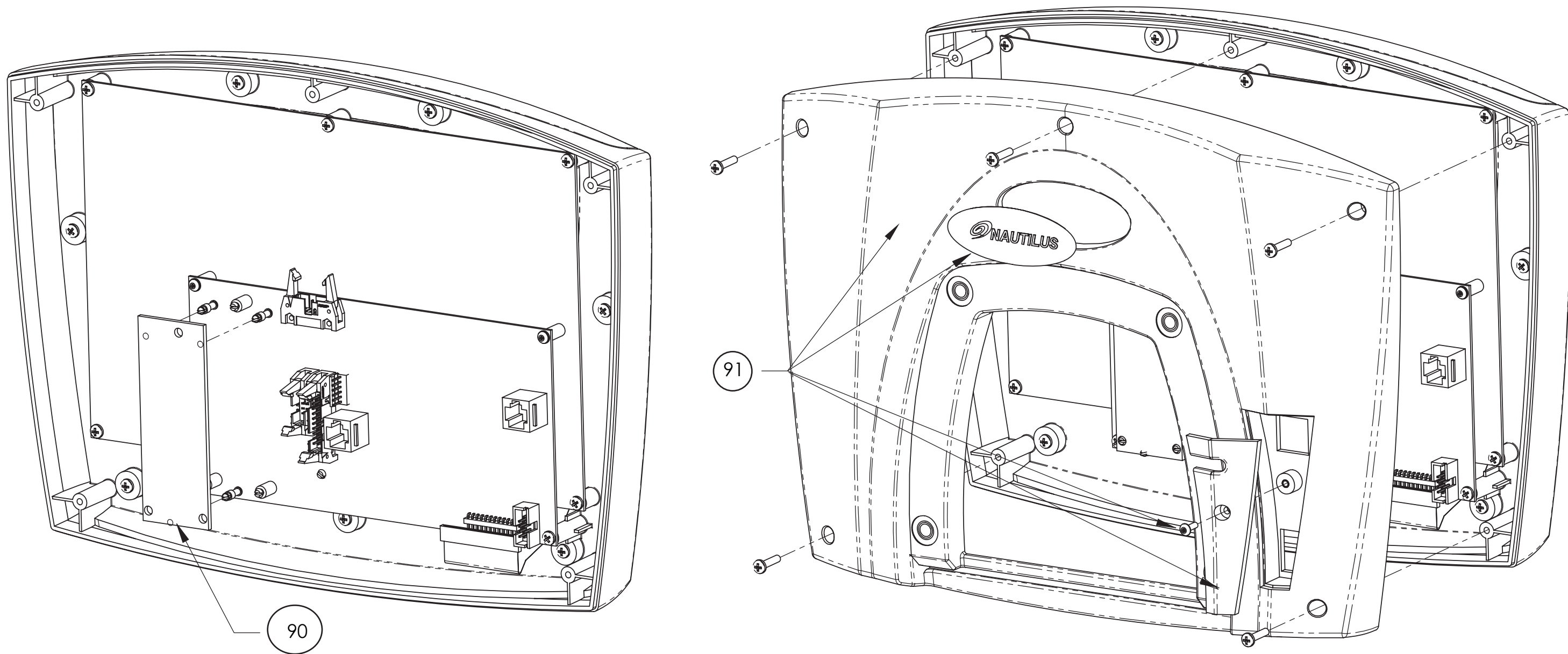
Appendix "C"

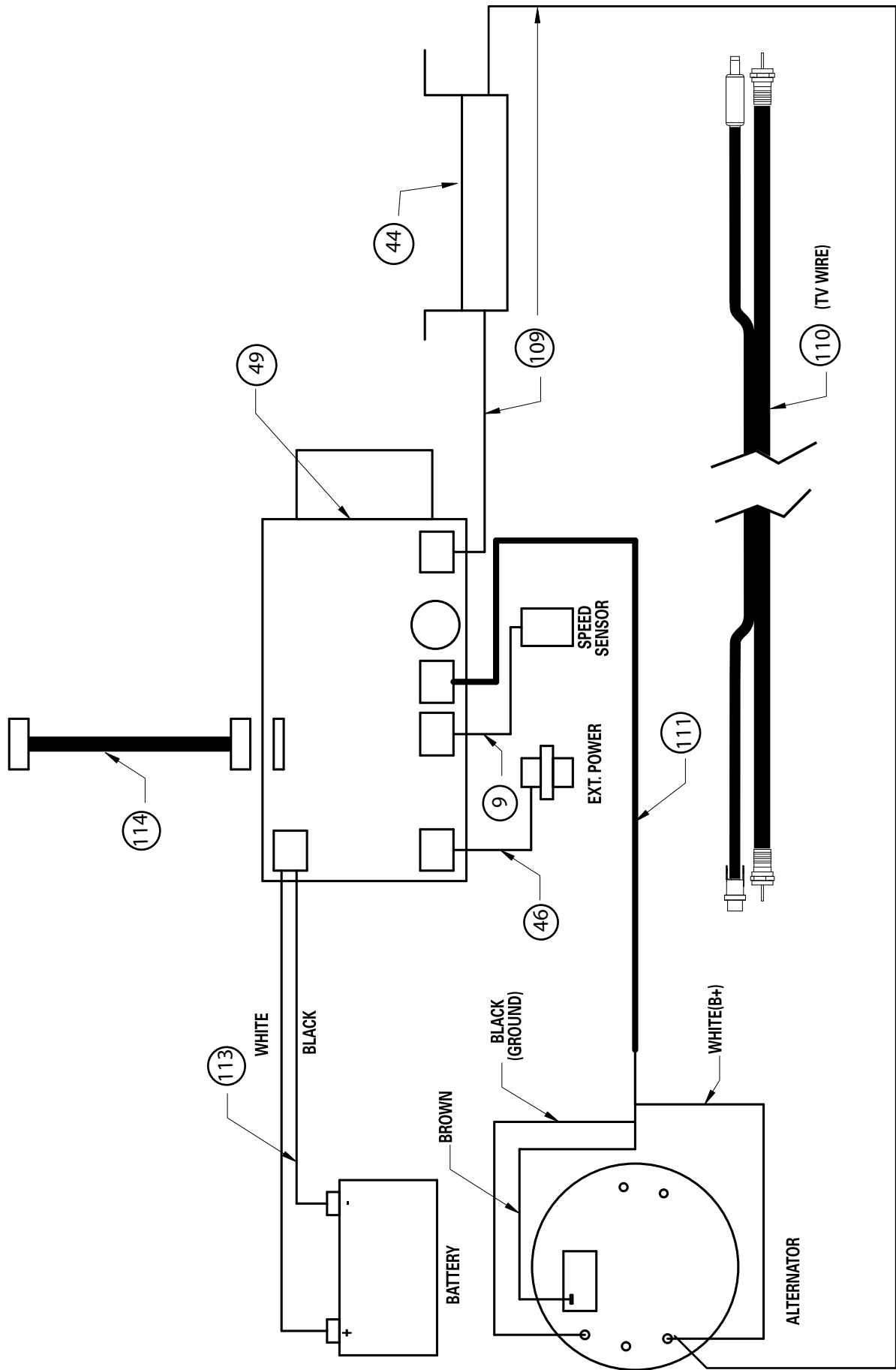


84 Appendix "C"



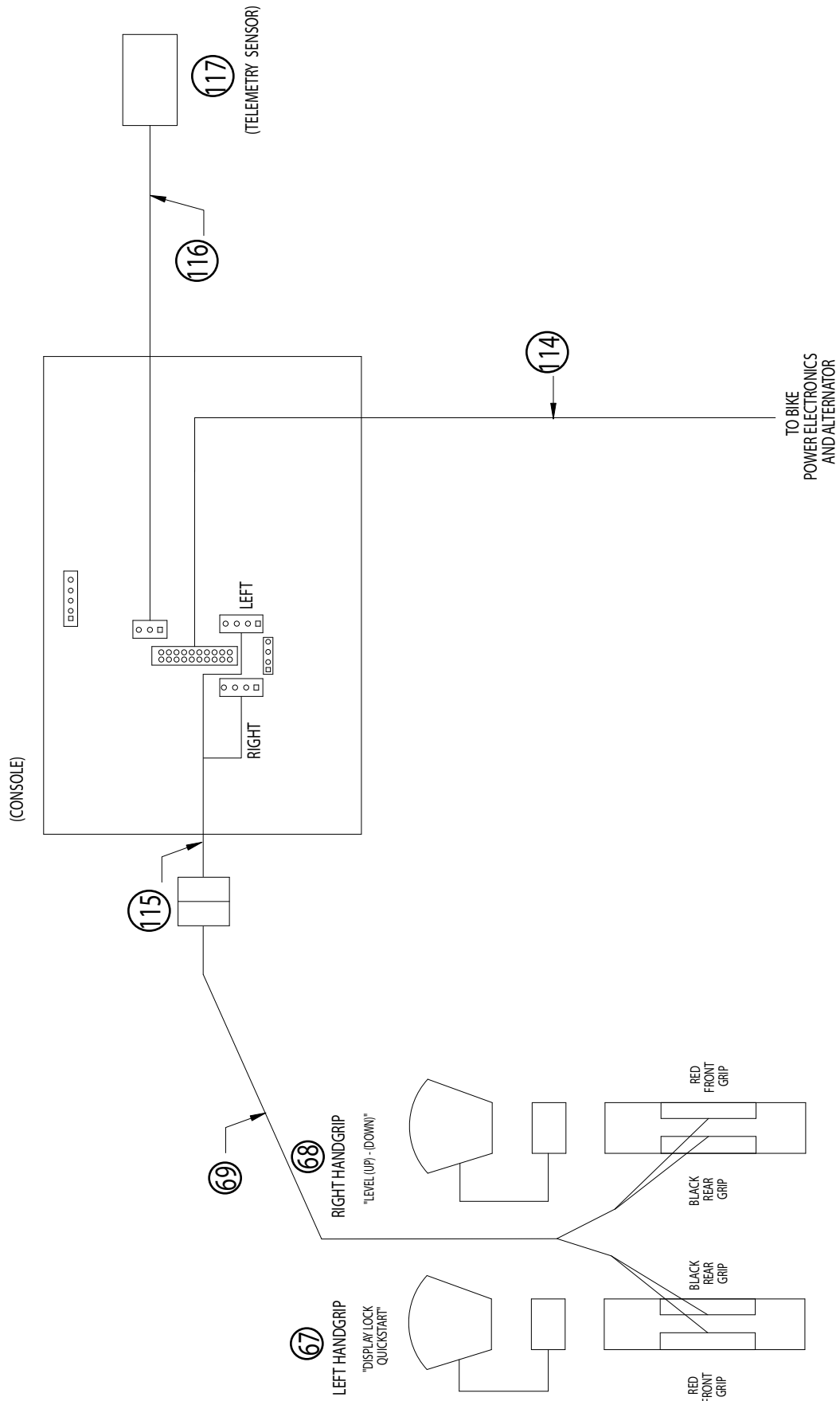
84 Appendix "C"





WHITE

R916 Main Power Wiring Diagram



R916 Console Heart Rate Wiring Diagram

R916,WBOM,DOMESTIC,SKU #380002

REF	DESCRIPTION	PART NUMBER	REF	DESCRIPTION	PART NUMBER
1	ASSY,FRAME,R916	003-3756	51	SCREW 3.10-32X.375 PANHD,PHL	SM17684
2	BRNG, Ball, 25mmx47mmx12mm	SM40594	52	SCREW,1/4-20X3/8",BUTTON HD	SM24162
3	SNAP RING,EXTERNAL, 25MM	SM17692	53	ASSY,HANDLE,DIP,R916	002-0566
4	Pulley, 8M Intermediate 22T	000-6229	54	ASSY,HANDLEBAR,MAST,R916,SVC	002-0567
5	WSH-Flat, M10 Wide	902-6027	55	SCW-SHCS, M8 1.25 x 35 SS	902-5683
6	WSH-FLAT M8 WIDE BLKZ	902-6024	56	WASHER,M8,SPLITLOCK	SM27592
7	Woodruff Key,6mm x 6mm x 20mm	002-0631	57	WASHER,M8,FLAT	SM27591
8	SCW-SHCS M8-1.25 x 20	902-4725	58	Ingus, Linear Bushing, Wide	000-6469
9	Induct,Switch/Speed Sensor	SM21445	59	Ingus, Linear Bushing	000-6468
10	CLAMP,CABLE,11/16" DIA.	SM22884	60	Seat Adjstmnt Handle, Overmid	000-6374
11	ALT/FLYWHEEL,DOM,U/R916	001-0498	61	Seat Adjustment Spring	000-6471
12	Nut, Hex, .375	SM22077	62	Assy, Seat Carriage	001-0378
13	Washer, 3/8 Split Lock Zinc PL	SM23729	63	Seat Cushion, Lower	000-6389
14	Washer,3/8 USS Flat - Zinc	SM22030	64	SHEET METAL,SEAT FRAME	000-6381
15	Washer, Shoulder, 3/8 ID Nylon	SM22191	65	Seat Frame Weldment	000-6385
16	Flywheel, U/R916	000-6238	66	ASSY,R916 HANDLEBAR	001-0460
17	NUT,FLANGE,,635 UNF 18	SM21778	67	(CS)Kit,CHR,LH,UPERHNDL,U/R916	001-0348
18	HHCS 0375-16 x 2.25	902-0401	68	(CS)Kit,CHR,RH,UPERHNDL,U/R916	001-0349
19	WASHER.STEP SHAFT 5/16 FLAT	SM22128	69	Assy, CBL,CHR,Rail to HNDLBR	001-5100
20	SCREW,,.312-18X1.00,HEX HD CAP	SM22165	70	Washer M8 Flat Stainless	SM27377
21	Pulley, Intermediate	000-6214	71	WSHR, Split Lock,,.312	SM40669
22	HW,MNTG,INTERMED PULLEY,U/	SM002-0637	72	SCREW,M8-1.25 X 20,SHC,SS	003-3696
23	ASSY,INTERMED HUB W/SHAFT,U/R9	SM002-0636	73	Washer Flat M8 Narrow Nickle	902-6533
24	Washer,5/16 Med Lock	SM22070	74	Seat Shroud, Lower left	000-6452
25	Belt, Alternator, U/R916	000-6432	75	PHILLIPS 10-32 x .75	901-5493
26	Belt Tensioner,U/R916	000-6232	76	NUT,SPEED,10-32,SELF ALIGNING	SM17811
27	Belt Jason 1120-8MT-16	000-6291	77	SCREW PAN HD W/LCK WSHR 10	SM41271
28	Pulley, 112 Tooth	000-6248	78	Seat Shroud, Lower right	000-6451
29	DISC CRANK	001-6365	79	SCW- SHCS M8 1.25 x 45 SS	902-5685
30	Crank Right	001-0391	80	Seat Back Cushion	000-6390
31	(CS)Kit, Pedals,LH/RH,U/R916	001-0342	81	Shroud, Seat Back	000-6391
32	HW,MNTG,PULLEY 112 TOOTH,U	SM002-0639	82	SCW-PHP, #10-32 x 1.25 SS	901-5496
33	ISIS BB, 73 x 128mm	000-6244	83	End Cap	000-6207
34	Crank Left	000-6324	84	CONSOLE,C51,LCD,R914	SM41703
35	SCW-SHCS M6-1.0 x 10 G2 BLKZ	902-4707	85	Housing, Console, Front	SM40802
36	HW,MNTG,BELT TENSIONER,U/R916	SM002-0638	86	Lens,C51 Console	SM40803
37	CAP,LEVELER SUPPORT	SM13180	87	KEYPANEL,CNSL,GENERIC	SM40468
38	Screw, 8-32 NC X 3/8 Philips	SM22134	88	NTR 7-18 DISPLAY PCBA	SM40826
39	Screw,#10-24 X ,38 Zinc Plated	SM22150	89	Assembly, PCBA	SM40820
40	Washer, Flat M6 Regular Nickle	902-6531	90	ICContactHRw/MountHeader	SM27767
41	Nut,8-32 NC Hex Mach,	SM22110	91	(CS)Assy, Rear Housing, C51	003-3688
42	Washer,#8 Int, Tooth Lock	SM22109	92	SCW,PH,W/LWSHR ,#1/4-20x.75	SM40670
43	Washer,#8 Sae Flat	SM13580	93	SHCS M10-1.5 X 25 G2	902-4742
44	Power Resistor	000-6217	94	SCW-BHCS, M8 x 1.25 x 20 SS	902-5028
45	CONNECTOR,RF,3mm,F	SM17787	95	WELDMENT, SEAT BRAKE	000-6459
46	CBL,MAIN POWER,3300CE/3900RC	SM13587	96	EXTRUSION, SEAT RAIL W/DECAL	003-3757
47	Screw,6-32 X 1/2,Phil HD	002-0356	97	SCW-BHCS, M6 x 1.0 x 16 SS	902-5013
48	HW,MNTG,POWER BOARD,U/R916	SM002-0640	98	DECAL,SEAT POST,R916	002-0531
49	Assy,PCBA, Power Control,U916	SM27451	99	SEAT RAIL REAR SHROUD	000-6486
50	KIT,BATTERY,6V	SM14123	100	Assy,Rear Seat Shroud,LT,R916	001-0384
51	HW,MNTG,MAST TO LWR BODY,U/R91	SM002-0641	101	SEAT RAIL FRONT SHROUD	000-6485

R916,WBOM,DOMESTIC,SKU #380002

REF	DESCRIPTION	PART NUMBER	REF	DESCRIPTION	PART NUMBER
102	Mast Cover Shroud, LT w/ hrdwr	001-0392	116	Assy,CBL,Telemetry Heart Rate	SM41702
103	Assy,Frnt Shroud,LTw/dcl,R916	001-0382	117	TELEMTRY MODULE	SM41187
104	SCREW,10-32 X 1.0, OVAL HD,PH	SM40443	118	Transport Wheel	000-6247
105	INLET COVER, RECUMBENT	000-6402	119	LEVELING PAD	SM17686
106	Assy,Frnt Shroud,RTw/dcl,R916	001-0383			
107	Mast Cover Shroud, RT w/ hrdwr	001-0393			
108	Assy,Rear Seat Shroud,RT,R916	001-0385			
109	Assembly, Cable, Load Resistor	002-9071			
110	Cable, Coaxial, TV/Power	000-6490			
111	Assembly, Cable, Alternator	002-9070			
112	Induct,Switch/Speed Sensor	SM21445			
113	CABLE ASSY.BATTERY. C40/3400	SM25465			
114	Cable Assy,Console PCB C40/380	SM25473			
115	Assy, CBL,CHR,CNSL to Rail	001-5110			

PARTS NOT SHOWN ON EXPLODED VIEW

REF	DESCRIPTION	PART NUMBER			
NS	Cap, Pedal, LH, U/R916	000-6406			
NS	Cap, Pedal, RH, U/R916	000-6415			
NS	DECAL,CONSOLE TOP,R916	SM41704			
NS	BADGE,3",COMMERCIAL,NAUTILUS	000-6491			
NS	U/R916 OWNERS MANUAL	001-6882			
NS	U/R916 SERVICE MANUAL	001-6884			
NS	R916 ASSEMBLY MANUAL	001-6988			
NS	CD,OWNERS MANUAL	001-6992			
NS	POWER SUPPLY,9VDC,1.5A	002-0677			